

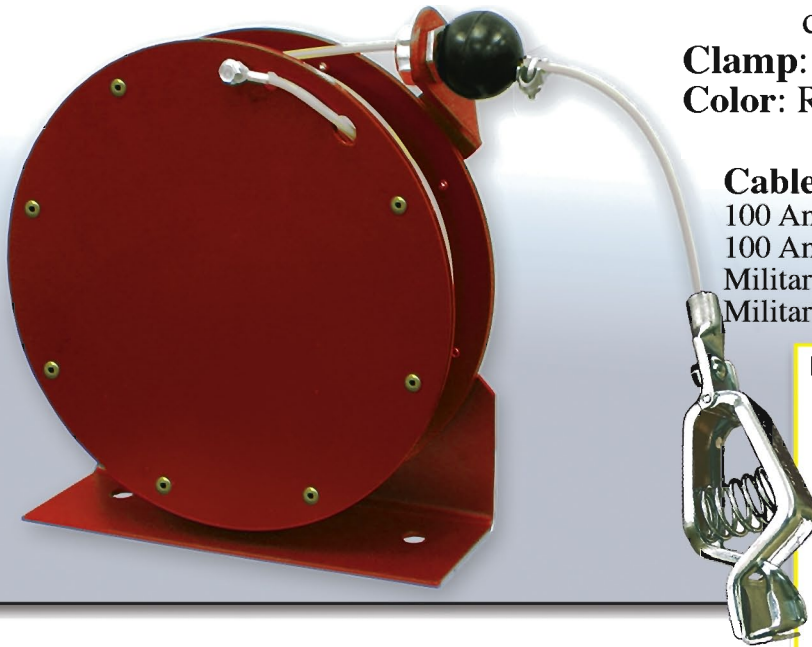
Quality, reliability and a reasonable price.

DMI-100ZC

Our reels feature a totally enclosed, gasketed spring rewind mechanism for the ultimate in protection from the elements. When paying out cable, a sturdy latching system holds the cable at the desired length. A gentle tug on the cable releases the latch, and the cable retracts back onto the reel.

Reel construction is of galvanized/zinc plated steel with a durable baked enamel finish. All bearing surfaces are permanently lubricated. Stainless steel springs are available when specified. Various combinations of cable, end fittings and color are available to custom tailor a reel to your specific requirements!

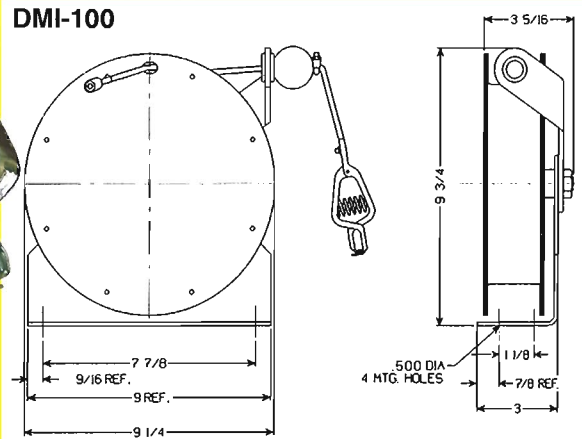
DMI-100ZC



Cable: 100 ft., 3/32" dia. galvanized cable, clear PVC coated to 1/8" dia.
Clamp: Mueller #11A (zinc plated)
Color: Red

Cable Clamp and Plug Options

100 Amp Mueller Copper Clamp #21C
100 Amp Mueller 11A Extra Large Clamp (shown)
Military Style Plug MIL-C 83413/4
Military Style Clamp MIL-C 83413/7



Military Specification: A-A-50696
Electrical Resistance: 10 ohms max. (clamp to mounting base).
Life Cycle: Tested to 5,000 cycles (full extension and retraction).
Operating Temperature Range: -65° F to 125° F
Storage Temperature Range: -80° F to 160° F

Delmaco Manufacturing, Inc.

21424 Cedar Creek Ave.
Georgetown, DE 19947-6305

sales@delmacomfg.com
www.delmacomfg.com
phone: 302-521-8888
fax: 302-856-6347