

**Quality, reliability and  
a reasonable price.**

Our manual reel construction is of galvanized/zinc plated steel with a durable baked enamel finish. When paying out cable, a sturdy latching system holds the cable at the desired length. All bearing surfaces are permanently lubricated. Various combinations of cable, end fittings and color are available to custom tailor a reel to your specific requirements!



## DMI-MAN50CC



**Cable:** 50 ft., 3/32" dia. 7x7 Stainless cable, yellow Hytrel jacket

**Clamp:** 100 Amp Copper Clamp #21C

**Color:** Yellow

### Cable Clamp and Plug Options

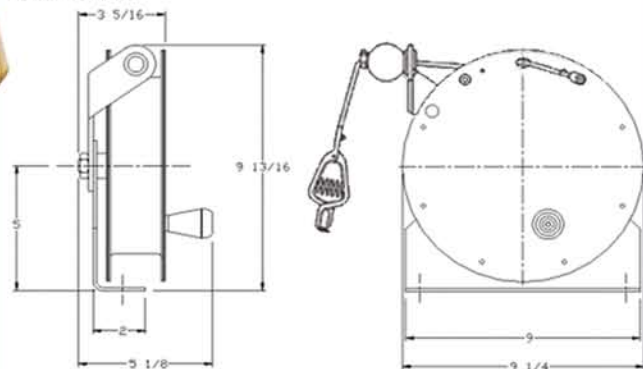
100 Amp Mueller Copper Clamp #21C (shown)

100 Amp Mueller 11A Extra Large Clamp

Military Style Plug MIL-C 83413/4

Military Style Clamp MIL-C 83413/7

DMI-MAN50



**Military Specification:** A-A-50696

**Electrical Resistance:** 10 ohms max. (clamp to mounting base).

**Life Cycle:** Tested to 5,000 cycles (full extension and retraction).

**Operating Temperature Range:** -65° F to 125° F

**Storage Temperature Range:** -80° F to 160° F

# Delmaco Manufacturing, Inc.

21424 Cedar Creek Ave.  
Georgetown, DE 19947-6305

sales@delmacomfg.com  
www.delmacomfg.com  
phone: 302-521-8888  
fax: 302-856-6347